

Neuchâtel Torch On Membrane Detail Drawings

Document Version: 001

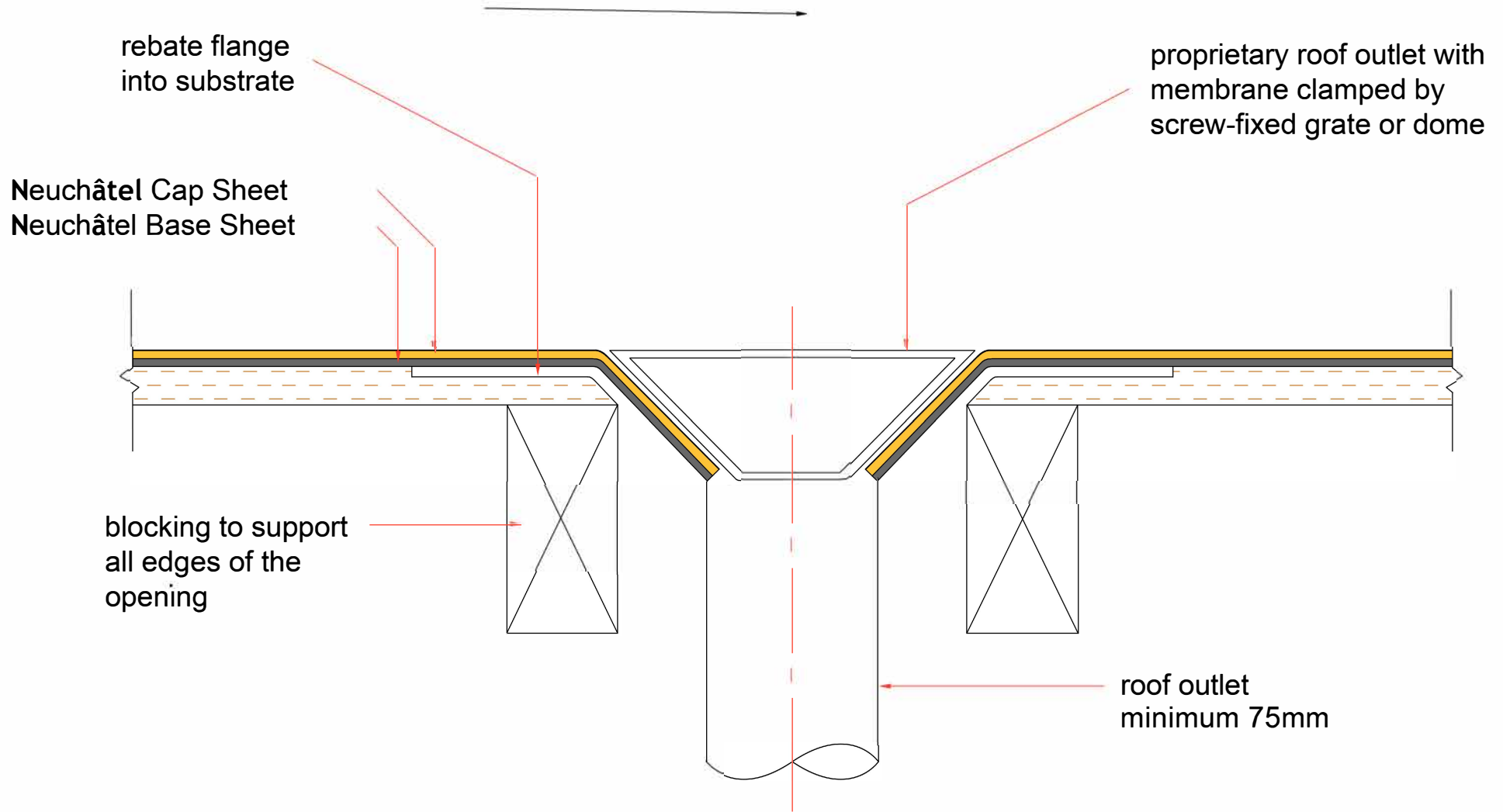
Issue Date: 2nd November 2023



Index

Drawing Number	Date	Version No.	Description
STO-01	09/2016	A	Typical Outlet
SGO-01	09/2016	A	Central Gutter Outlet
SPO-01	09/2016	A	Perimeter Gutter Outlet
SSV-01	09/2016	A	Substrate Vent
SRC-01	09/2016	A	Roof Cavity Vent
STC-01	09/2016	A	Termination into Concrete
SBB-01	09/2016	A	Bond Breaker
SMF-01	09/2016	A	Mechanical Fixing
SOP-01	09/2016	A	Orientation of Plinth
SPC-01	09/2016	A	Typical Parapet Capping
SEJ-01	09/2016	A	Flush Expansion Joint
SWB-01	09/2016	A	Weltd Barge
SVO-01	09/2016	A	Verge - Overflashing
SDS-01	09/2016	A	Level-Entry Door Sill
SDF-01	09/2016	A	Direct-Fixed Door Sill
SWJ-01	09/2016	A	Wall/Floor/Deck Junction
SEC-01	09/2016	A	Termination - Existing Cladding
SVP-01	09/2016	A	Typical Vertical Pipe
SUU-01	09/2016	A	Up & Under Roofing
SMC-01	09/2016	A	Metal Expansion Joint Cap
SIG-01	09/2016	A	Internal Gutter to Parapet
SIE-01	09/2016	A	Internal & External Corners
SPR-01	09/2016	A	Proprietary Scupper & Rainwater Head
SUC-01	09/2016	A	Underflashing of External Corner
SIC-01	09/2016	A	Underflashing of Internal Corner
SDE-01	09/2016	A	Metal Drip Edge

Minimum roof fall 1:40 or 1.5°
 Minimum deck fall 1:60 or 1.0°
 Minimum gutter fall 1:100 or 0.5°



neuchâtel

Contact Details
 Neuchâtel Group Ltd
 120 Foundry Road
 Silverdale
 Auckland
 www.neuchatel.co.nz
 Tel +64 9 441 4595

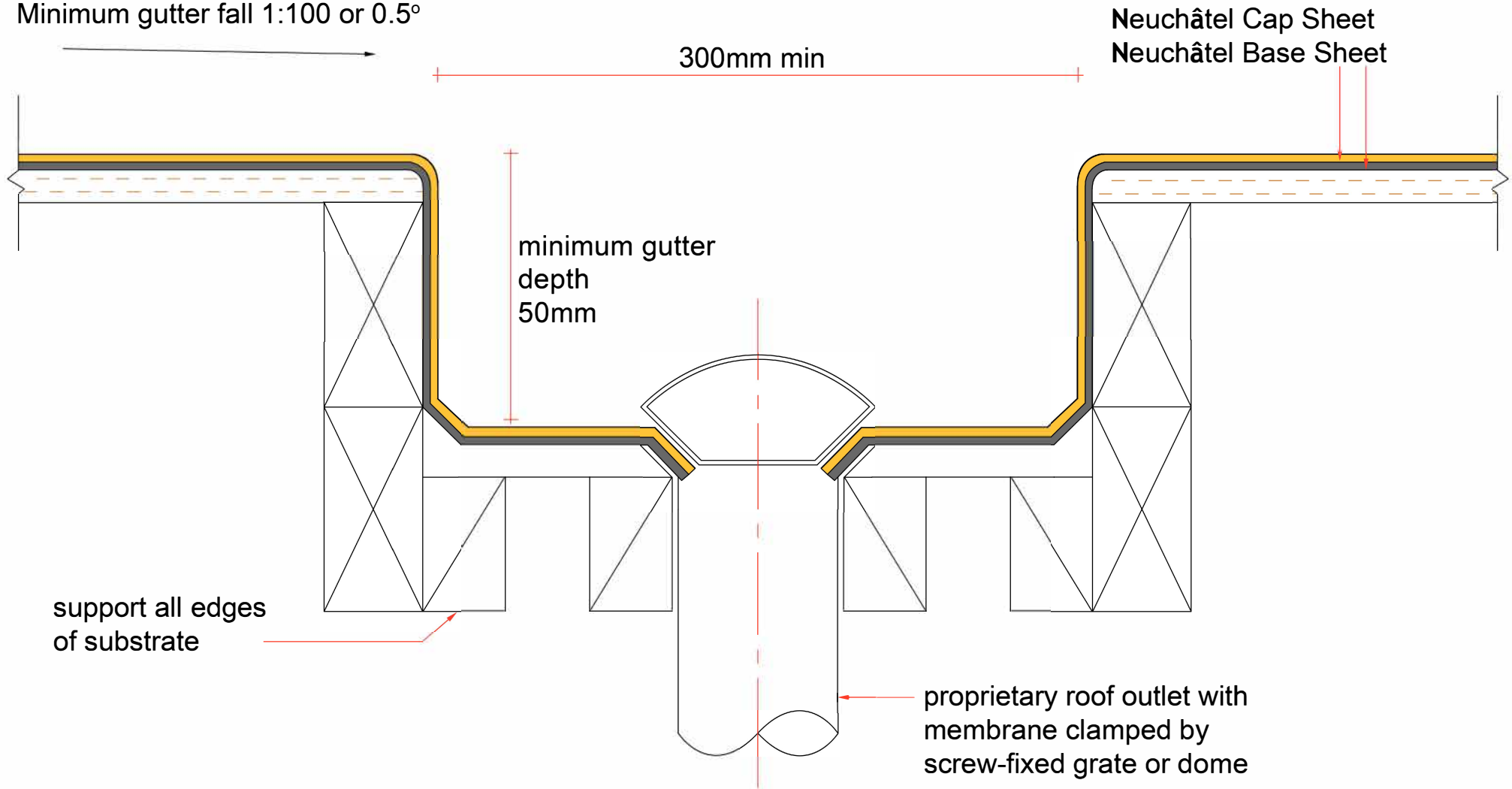
All materials are to be installed by an authorised Neuchâtel applicator only. All materials to be applied in accordance with current published installation instruction and product data sheets should be consulted at all times. This drawing is for comment and approval only and it must not be used for construction until authorised by the project specifier or other relevant technical expert. This detail is drawn to current NZ building codes. This drawing is not subject to copyright. It meets current building codes and feel free to use.

Detail Title **TYPICAL OUTLET**

Date: **09/2016** Drawing No: **STO-01**

Revision No: **A**

Minimum roof fall 1:40 or 1.5°
 Minimum deck fall 1:60 or 1.0°
 Minimum gutter fall 1:100 or 0.5°



neuchâtel

Contact Details

Neuchâtel Group Ltd
 120 Foundry Road
 Silverdale
 Auckland

www.neuchatel.co.nz
 Tel +64 9 441 4595

All materials are to be installed by an authorised Neuchâtel applicator only. All materials to be applied in accordance with current published installation instruction and product data sheets should be consulted at all times. This drawing is for comment and approval only and it must not be used for construction until authorised by the project specifier or other relevant technical expert. This detail is drawn to current NZ building codes. This drawing is not subject to copyright. It meets current building codes and feel free to use.

Detail Title

CENTRAL GUTTER OUTLET

Date:

09/2016

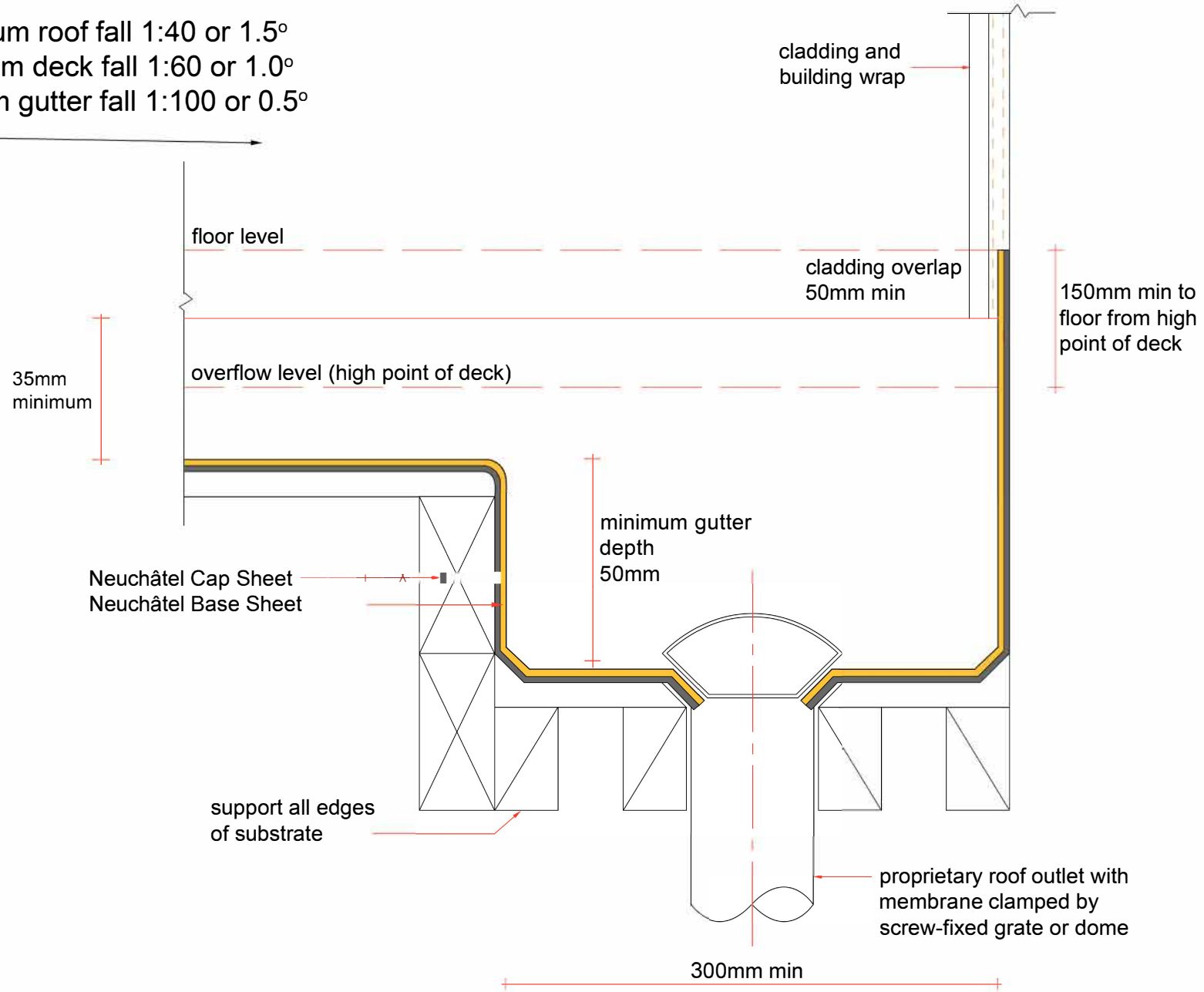
Drawing No:

SGO-01

Revision No:

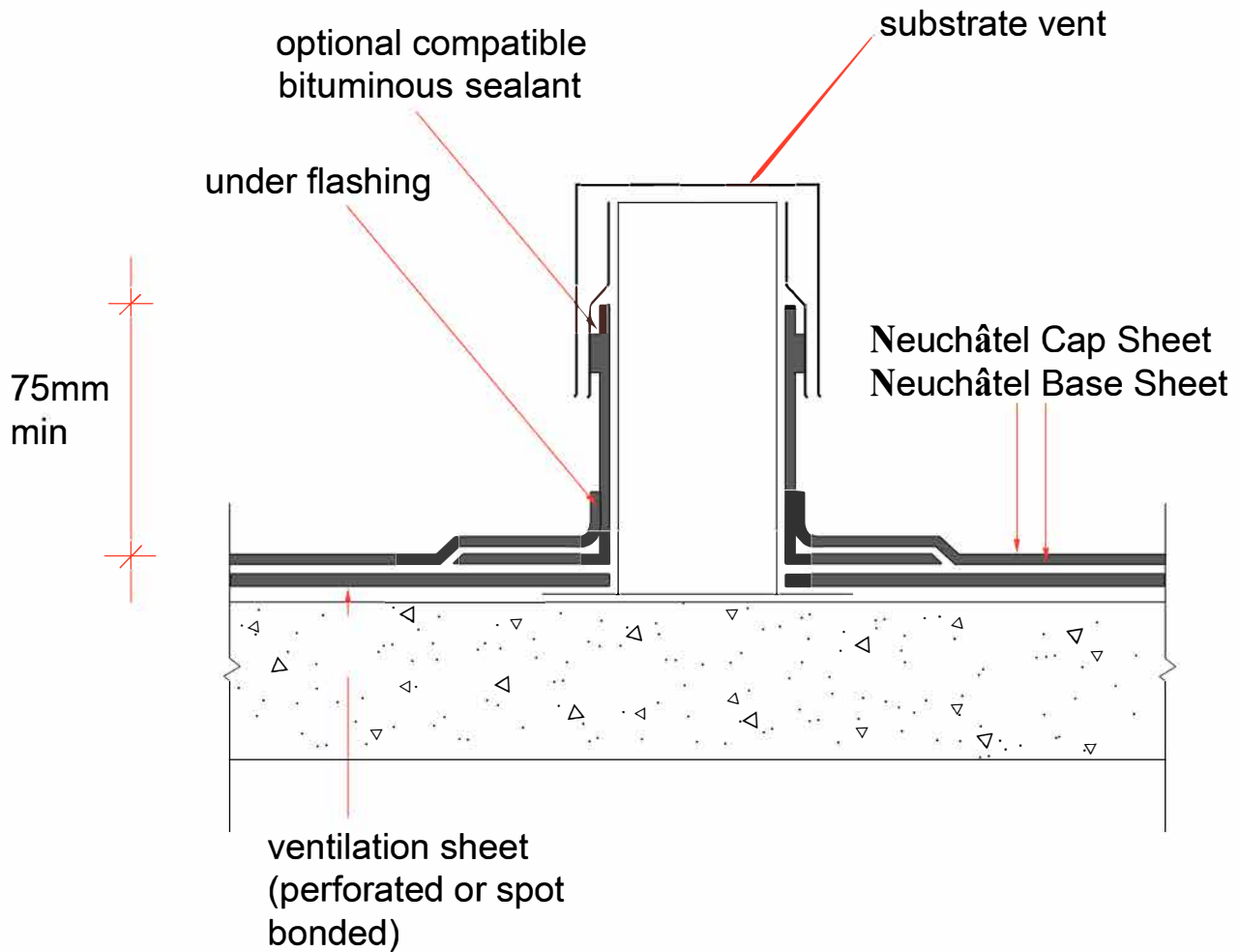
A

Minimum roof fall 1:40 or 1.5°
 Minimum deck fall 1:60 or 1.0°
 Minimum gutter fall 1:100 or 0.5°



Contact Details
 Neuchâtel Group Ltd
 120 Foundry Road
 Silverdale
 Auckland
 www.neuchatel.co.nz Tel
 +64 9 441 4595

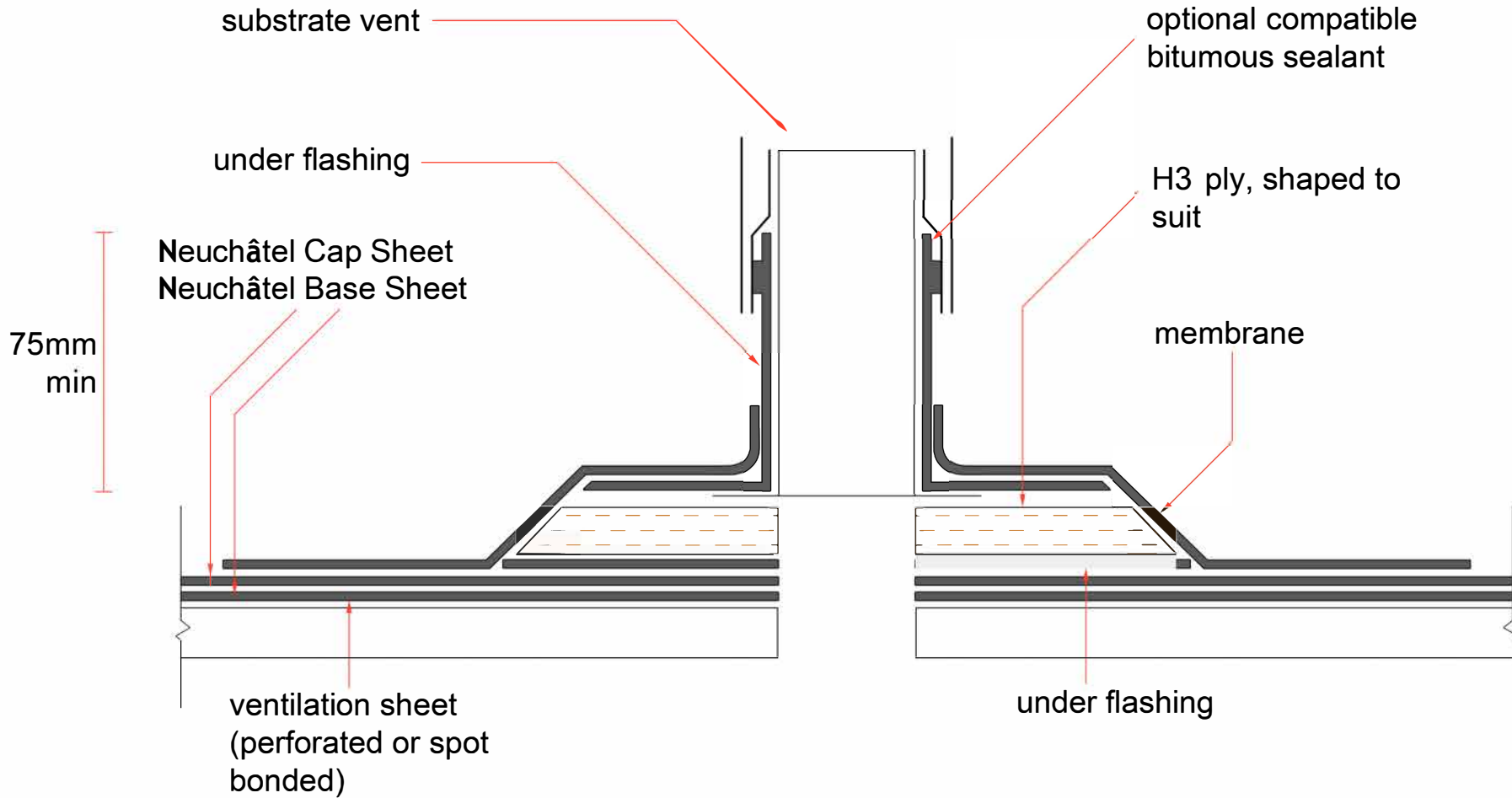
All materials are to be installed by an authorised Neuchâtel applicator only. All materials to be applied in accordance with current published installation instruction and product data sheets should be consulted at all times. This drawing is for comment and approval only and it must not be used for construction until authorised by the project specifier or other relevant technical expert. This detail is drawn to current NZ building codes. This drawing is not subject to copyright. It meets current building codes and feel free to use.



neuchâtel

Contact Details
 Neuchâtel Group Ltd
 120 Foundry Road
 Silverdale
 Auckland
 www.neuchatel.co.nz
 Tel +64 9 441 4595

All materials are to be installed by an authorised Neuchâtel applicator only. All materials to be applied in accordance with current published installation instruction and product data sheets should be consulted at all times. This drawing is for comment and approval only and it must not be used for construction until authorised by the project specifier or other relevant technical expert. This detail is drawn to current NZ building codes. This drawing is not subject to copyright. It meets current building codes and feel free to use.



Contact Details

Neuchâtel Group Ltd
120 Foundry Road
Silverdale
Auckland

www.neuchatel.co.nz
Tel +64 9 441 4595

All materials are to be installed by an authorised Neuchâtel applicator only. All materials to be applied in accordance with current published installation instruction and product data sheets should be consulted at all times. This drawing is for comment and approval only and it must not be used for construction until authorised by the project specifier or other relevant technical expert. This detail is drawn to current NZ building codes. This drawing is not subject to copyright. It meets current building codes and feel free to use.

Detail Title

ROOF CAVITY VENT

Date:

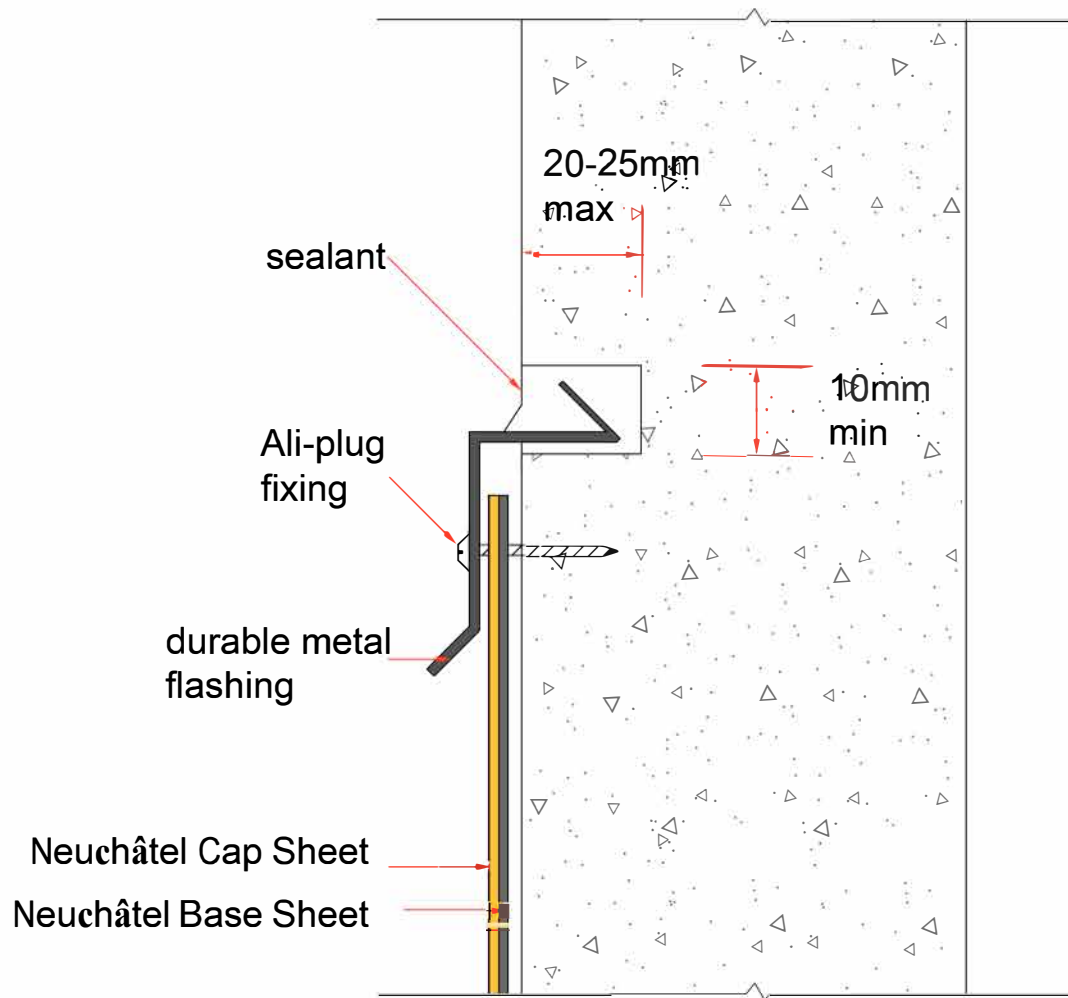
09/2016

Drawing No:

SRC-01

Revision No:

A



Contact Details
 Neuchâtel Ltd
 120 Foundry Road
 Silverdale
 Auckland

www.neuchatel.co.nz
 Tel +64 9 441 4595

All materials are to be installed by an authorised Neuchâtel applicator only. All materials to be applied in accordance with current published installation instruction and product data sheets should be consulted at all times. This drawing is for comment and approval only and it must not be used for construction until authorised by the project specifier or other relevant technical expert. This detail is drawn to current NZ building codes. This drawing is not subject to copyright. It meets current building codes and feel free to use.

Detail Title **TERMINATION INTO CONCRETE**

Date: **09/2016**

Drawing No: **STC-01**

Revision No: **A**

Neuchâtel cap sheet
Neuchâtel base sheet

150mm min

150mm bond breaker
strip fixed to one side
only, either pinned (as
shown), welded, or spot
welded

all joints fully supported



Contact Details

Neuchâtel Group Ltd
120 Foundry Road
Silverdale
Auckland

www.neuchatel.co.nz
Tel +64 9 441 4595

All materials are to be installed by an authorised Neuchâtel applicator only. All materials to be applied in accordance with current published installation instruction and product data sheets should be consulted at all times. This drawing is for comment and approval only and it must not be used for construction until authorised by the project specifier or other relevant technical expert. This detail is drawn to current NZ building codes. This drawing is not subject to copyright. It meets current building codes and feel free to use.

Detail Title

BOND-BREAKER

Date:

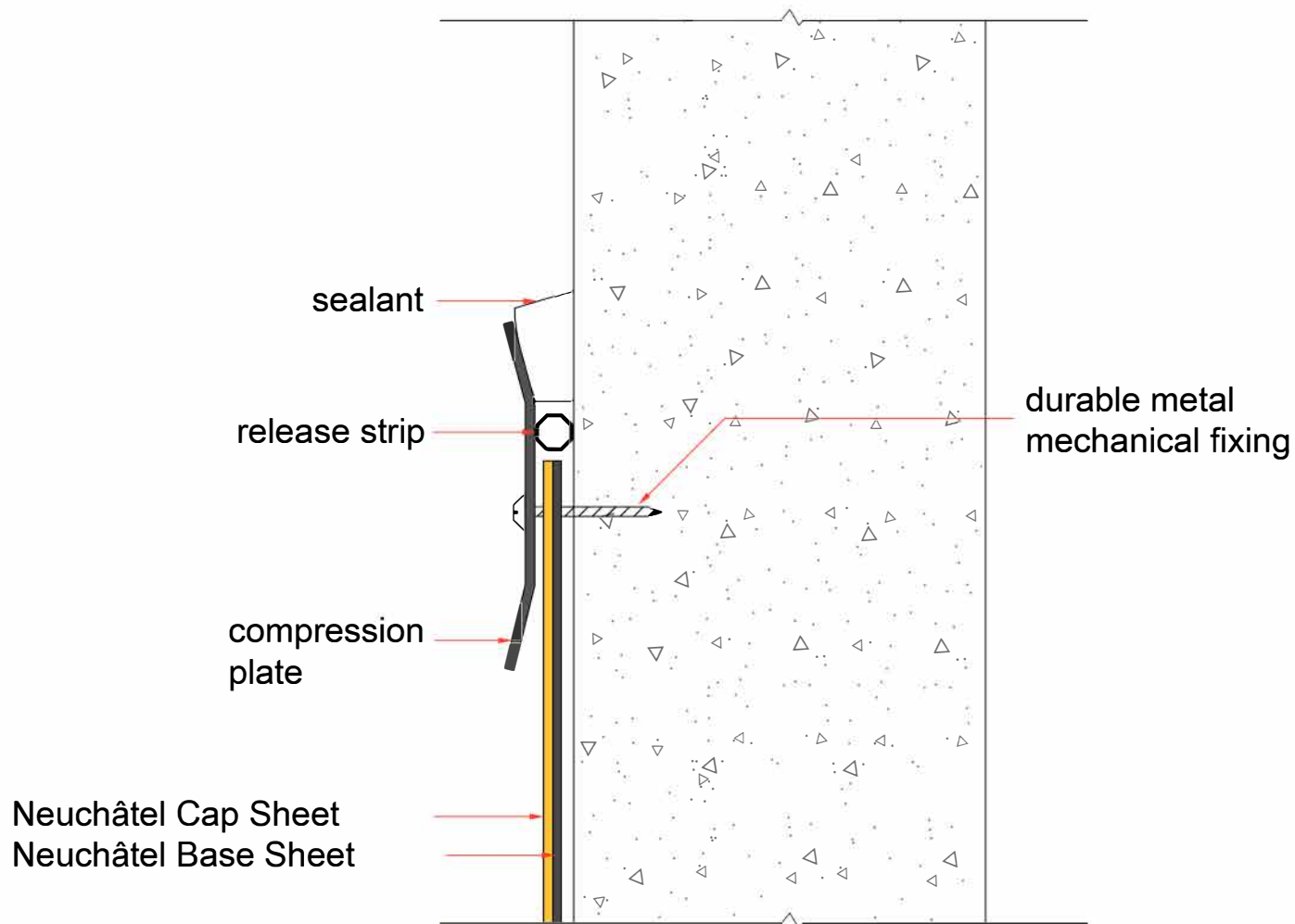
09/2016

Drawing No:

SBB-01

Revision No:

A



Contact Details

Neuchâtel Group Ltd
 120 Foundry Road
 Silverdale
 Auckland

www.neuchatel.co.nz
 Tel +64 9 441 4595

All materials are to be installed by an authorised Neuchâtel applicator only. All materials to be applied in accordance with current published installation instruction and product data sheets should be consulted at all times. This drawing is for comment and approval only and it must not be used for construction until authorised by the project specifier or other relevant technical expert. This detail is drawn to current NZ building codes. This drawing is not subject to copyright. It meets current building codes and feel free to use.

Detail Title

MECHANICAL FIXING

Date:

09/2016

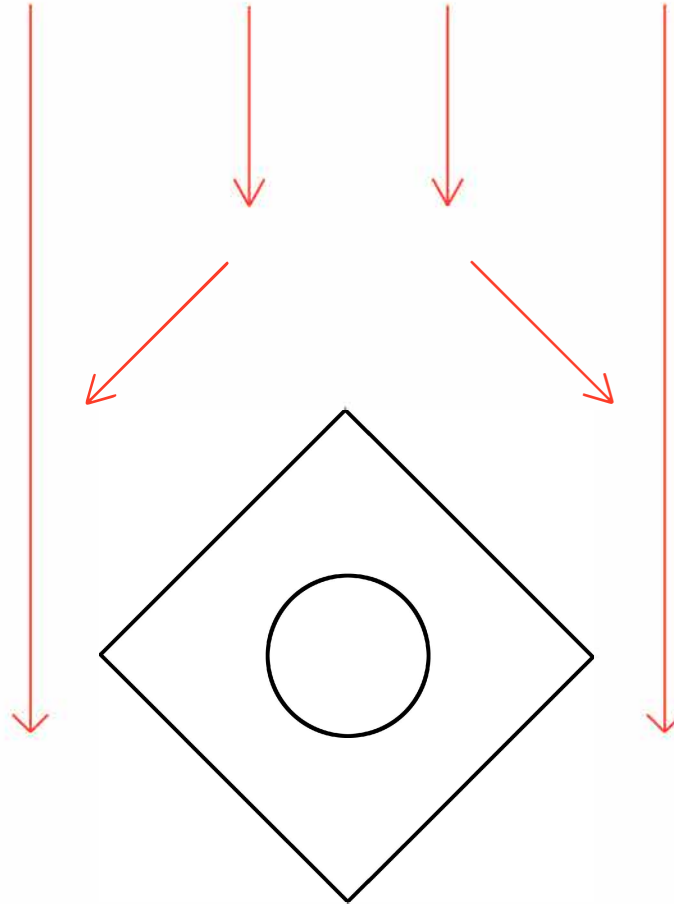
Drawing No:

SMF-01

Revision No:

A

Direction of water flow



Contact Details

Neuchâtel Group Ltd
120 Foundry Road
Silverdale
Auckland

www.neuchatel.co.nz
Tel +64 9 441 4595

All materials are to be installed by an authorised Neuchâtel applicator only. All materials to be applied in accordance with current published installation instruction and product data sheets should be consulted at all times. This drawing is for comment and approval only and it must not be used for construction until authorised by the project specifier or other relevant technical expert. This detail is drawn to current NZ building codes. This drawing is not subject to copyright. It meets current building codes and feel free to use.

Detail Title

ORIENTATION OF PLINTH

Date:

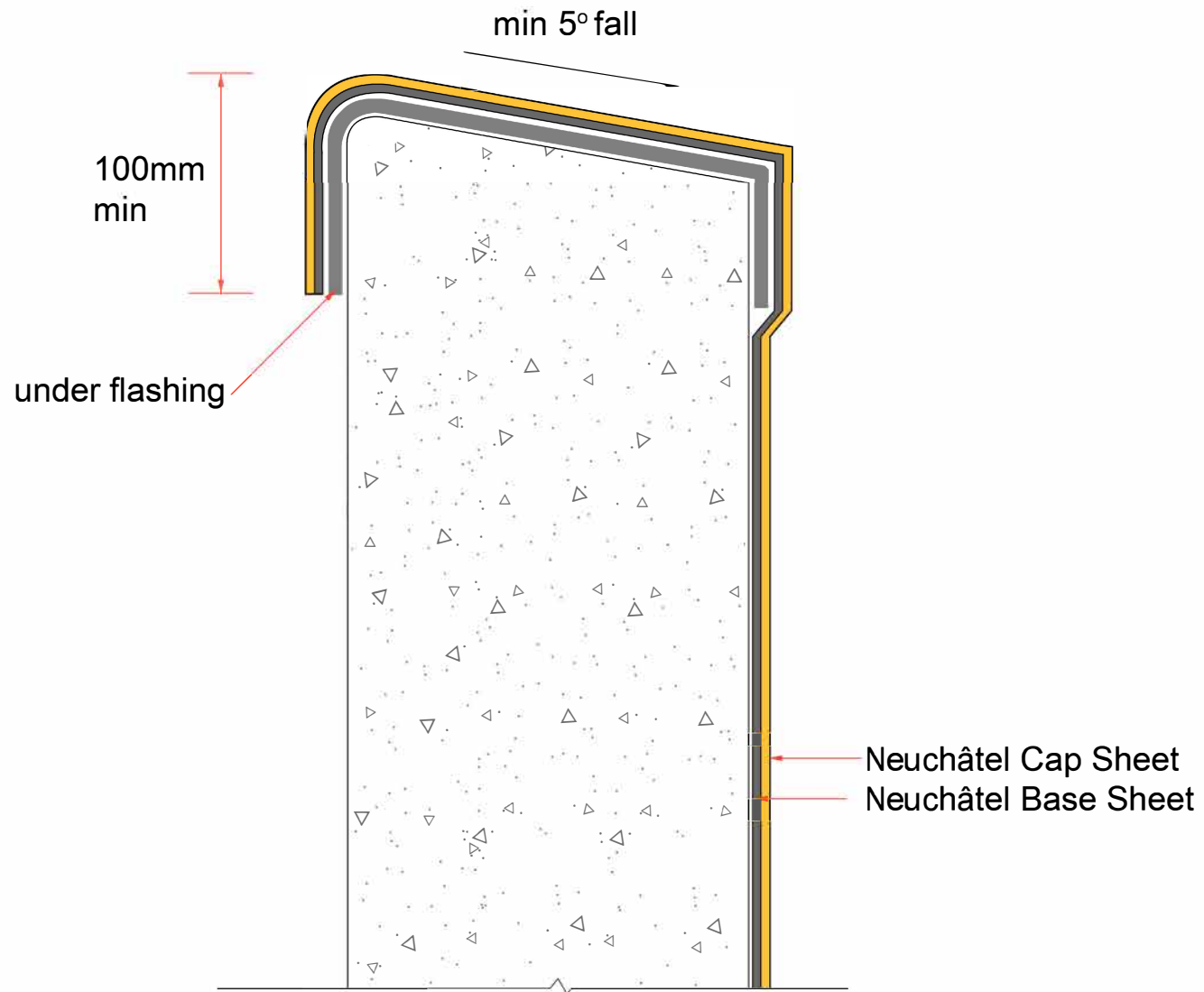
09/2016

Drawing No:

SOP-01

Revision No:

A



Contact Details

Neuchâtel Group Ltd
 120 Foundry Road
 Silverdale
 Auckland

www.neuchatel.co.nz
 Tel +64 9 441 4595

All materials are to be installed by an authorised Neuchâtel applicator only. All materials to be applied in accordance with current published installation instruction and product data sheets should be consulted at all times. This drawing is for comment and approval only and it must not be used for construction until authorised by the project specifier or other relevant technical expert. This detail is drawn to current NZ building codes. This drawing is not subject to copyright. It meets current building codes and feel free to use.

Detail Title

TYPICAL PARAPET CAPPING

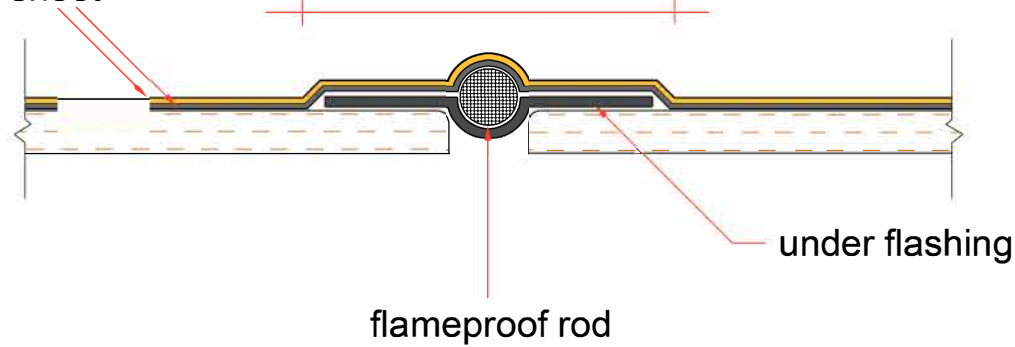
Date: 09/2016

Drawing No: SPC-01

Revision No: A

Neuchâtel cap sheet
Neuchâtel base sheet

expansion joint by designer



under flashing

flameproof rod



Contact Details

Neuchâtel Group Ltd
120 Foundry Road
Silverdale
Auckland

www.neuchatel.co.nz
Tel +64 9 441 4595

All materials are to be installed by an authorised Neuchâtel applicator only. All materials to be applied in accordance with current published installation instruction and product data sheets should be consulted at all times. This drawing is for comment and approval only and it must not be used for construction until authorised by the project specifier or other relevant technical expert. This detail is drawn to current NZ building codes. This drawing is not subject to copyright. It meets current building codes and feel free to use.

Detail Title

FLUSH EXPANSION JOINT

Date:

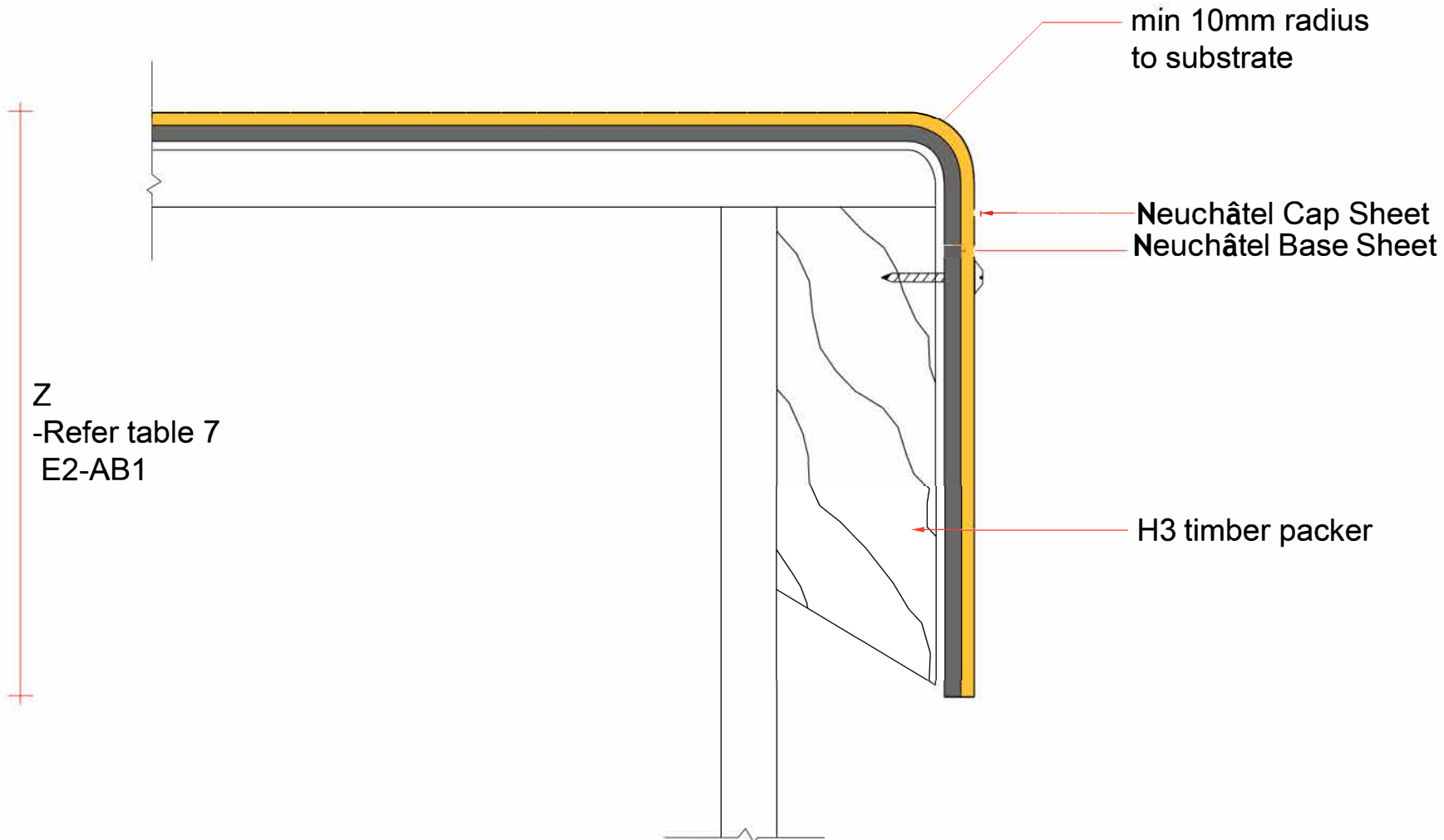
09/2016

Drawing No:

SEJ-01

Revision No:

A



Z
-Refer table 7
E2-AB1

min 10mm radius
to substrate

Neuchâtel Cap Sheet
Neuchâtel Base Sheet

H3 timber packer



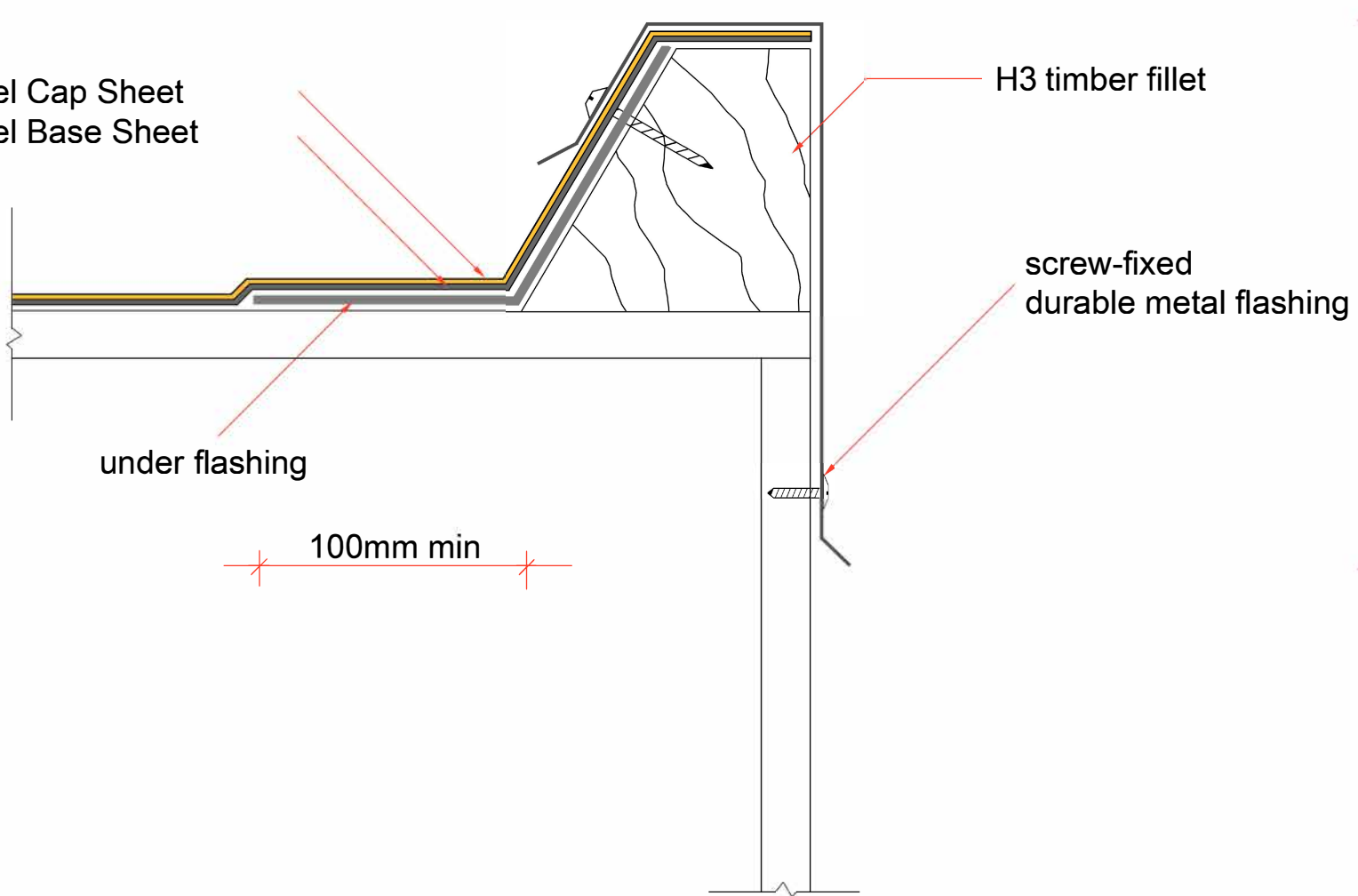
Contact Details
Neuchâtel Group Ltd
120 Foundry Road
Silverdale
Auckland
www.neuchatel.co.nz
Tel +64 9 441 4595

All materials are to be installed by an authorised Neuchâtel applicator only. All materials to be applied in accordance with current published installation instruction and product data sheets should be consulted at all times. This drawing is for comment and approval only and it must not be used for construction until authorised by the project specifier or other relevant technical expert. This detail is drawn to current NZ building codes. This drawing is not subject to copyright. It meets current building codes and feel free to use.

Detail Title
WELTED BARGE

Date: **09/2016** Drawing No: **SWB-01** Revision No: **A**

Neuchâtel Cap Sheet
Neuchâtel Base Sheet



H3 timber fillet

screw-fixed
durable metal flashing

Z
-Refer table
7
E2-AB1

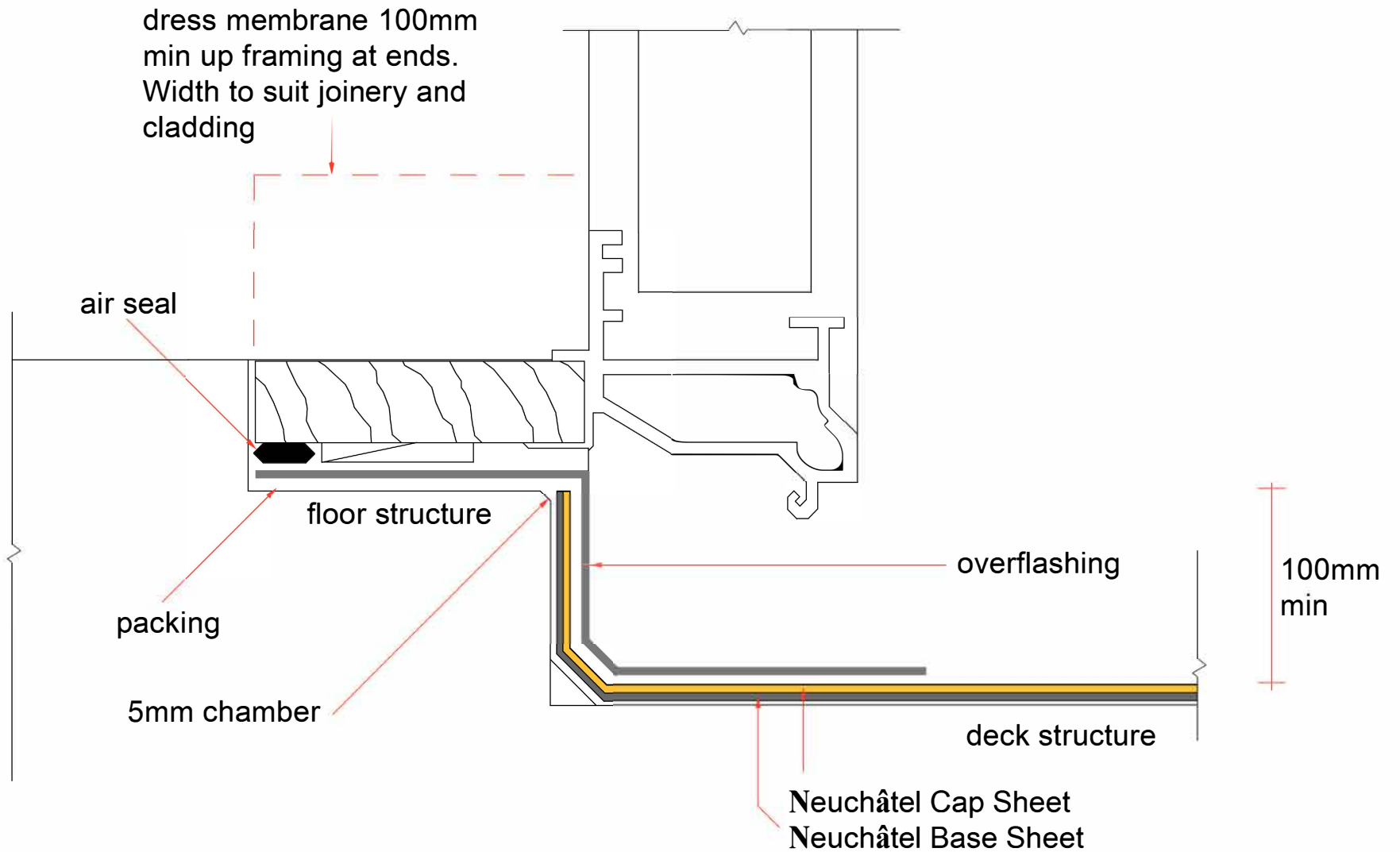
under flashing

100mm min



Contact Details
Neuchâtel Group Ltd
120 Foundry Road
Silverdale
Auckland
www.neuchatel.co.nz
Tel +64 9 441 4595

All materials are to be installed by an authorised Neuchâtel applicator only. All materials to be applied in accordance with current published installation instruction and product data sheets should be consulted at all times. This drawing is for comment and approval only and it must not be used for construction until authorised by the project specifier or other relevant technical expert. This detail is drawn to current NZ building codes. This drawing is not subject to copyright. It meets current building codes and feel free to use.



Contact Details

Neuchâtel Group Ltd
120 Foundry Road
Silverdale
Auckland

www.neuchatel.co.nz
Tel +64 9 441 4595

All materials are to be installed by an authorised Neuchâtel applicator only. All materials to be applied in accordance with current published installation instruction and product data sheets should be consulted at all times. This drawing is for comment and approval only and it must not be used for construction until authorised by the project specifier or other relevant technical expert. This detail is drawn to current NZ building codes. This drawing is not subject to copyright. It meets current building codes and feel free to use.

Detail Title

LEVEL-ENTRY DOOR SILL

Date:

09/2016

Drawing No:

SDS-01

Revision No:

A

dress membrane
100mm min up framing
at ends, width to suit
joinery and cladding

air seal

floor structure

carry deck membrane
up and under window sill
liner at floor level
windows and doors

sill flashing with 5° slope
and stopends

100mm
min

deck structure



Contact Details

Neuchâtel Group Ltd
120 Foundry Road
Silverdale
Auckland

www.neuchatel.co.nz
Tel +64 9 441 4595

All materials are to be installed by an authorised Neuchâtel applicator only. All materials to be applied in accordance with current published installation instruction and product data sheets should be consulted at all times. This drawing is for comment and approval only and it must not be used for construction until authorised by the project specifier or other relevant technical expert. This detail is drawn to current NZ building codes. This drawing is not subject to copyright. It meets current building codes and feel free to use.

Detail Title

DIRECT-FIXED DOOR SILL

Date:

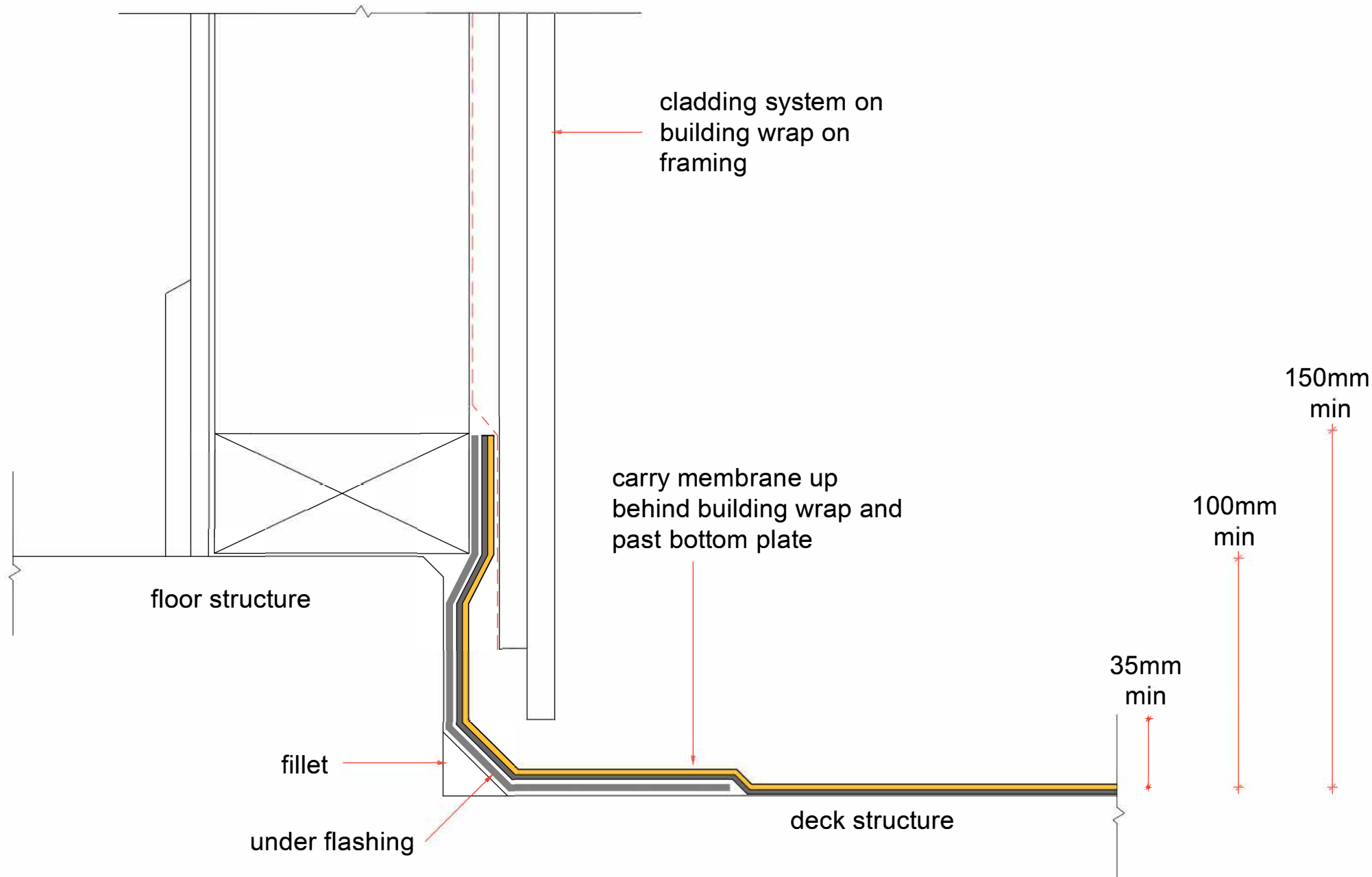
09/2016

Drawing No:

SDF-01

Revision No:

A



Contact Details
 Neuchâtel Group Ltd
 120 Foundry Road
 Silverdale
 Auckland
 www.neuchatel.co.nz
 Tel +64 9 441 4595

All materials are to be installed by an authorised Neuchâtel applicator only. All materials to be applied in accordance with current published installation instruction and product data sheets should be consulted at all times. This drawing is for comment and approval only and it must not be used for construction until authorised by the project specifier or other relevant technical expert. This detail is drawn to current NZ building codes. This drawing is not subject to copyright. It meets current building codes and feel free to use.

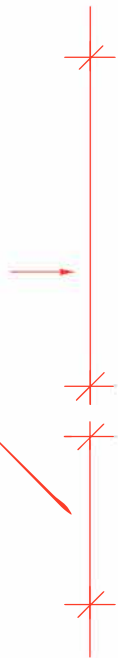
Detail Title WALL/FLOOR/DECK JUNCTION

Date: 09/2016

Drawing No: SWJ-01

Revision No: A

minimum cover varies according to location on building and wind zone



cladding system on building wrap on framing

durable metal flashing with 15° min angle

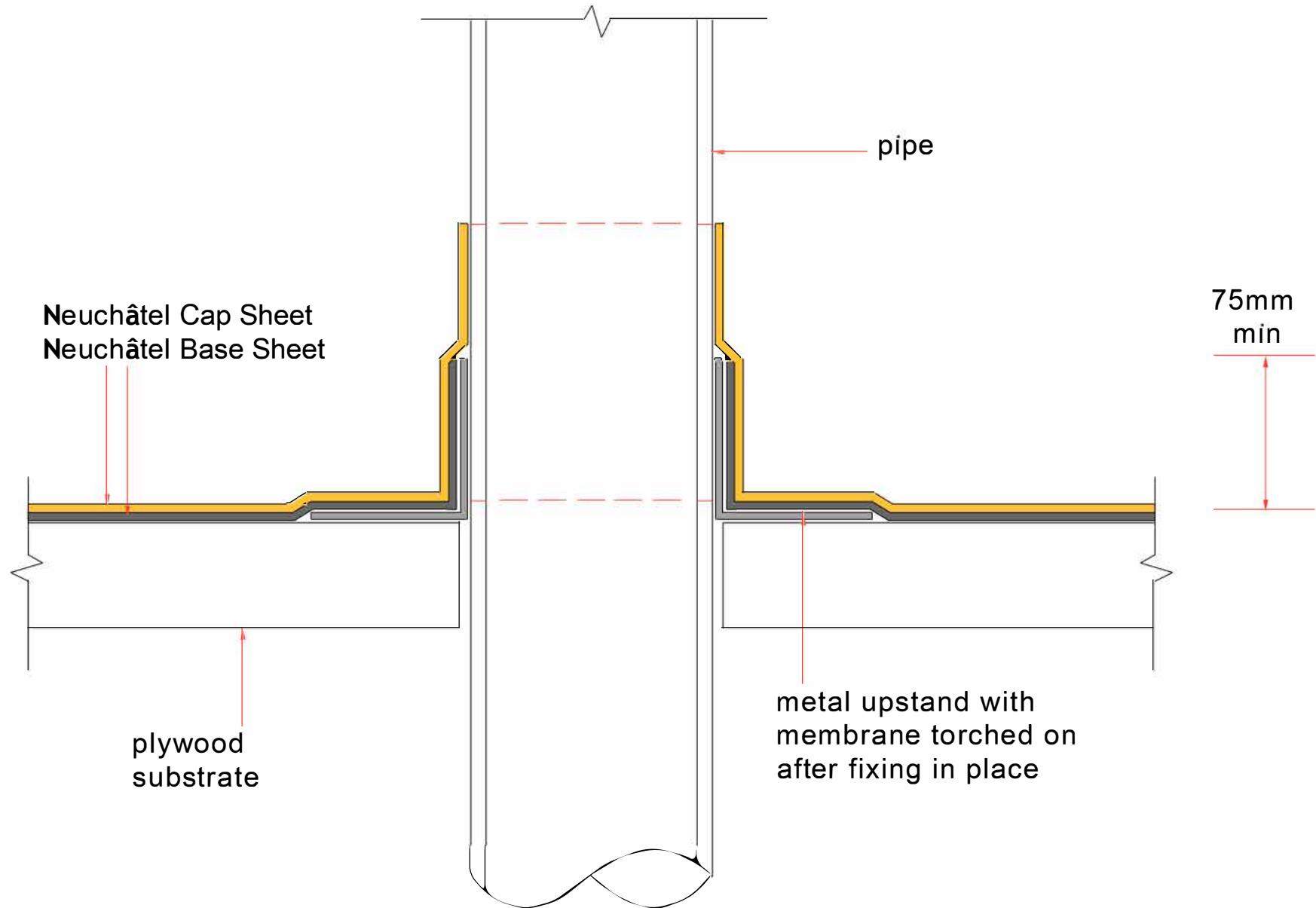
membrane system on 18mm ply on framing



Contact Details
Neuchâtel Group Ltd
120 Foundry Road
Silverdale
Auckland

www.neuchatel.co.nz
Tel +64 9 441 4595

All materials are to be installed by an authorised Neuchâtel applicator only. All materials to be applied in accordance with current published installation instruction and product data sheets should be consulted at all times. This drawing is for comment and approval only and it must not be used for construction until authorised by the project specifier or other relevant technical expert. This detail is drawn to current NZ building codes. This drawing is not subject to copyright. It meets current building codes and feel free to use.



Neuchâtel Cap Sheet
Neuchâtel Base Sheet

pipe

75mm
min

plywood
substrate

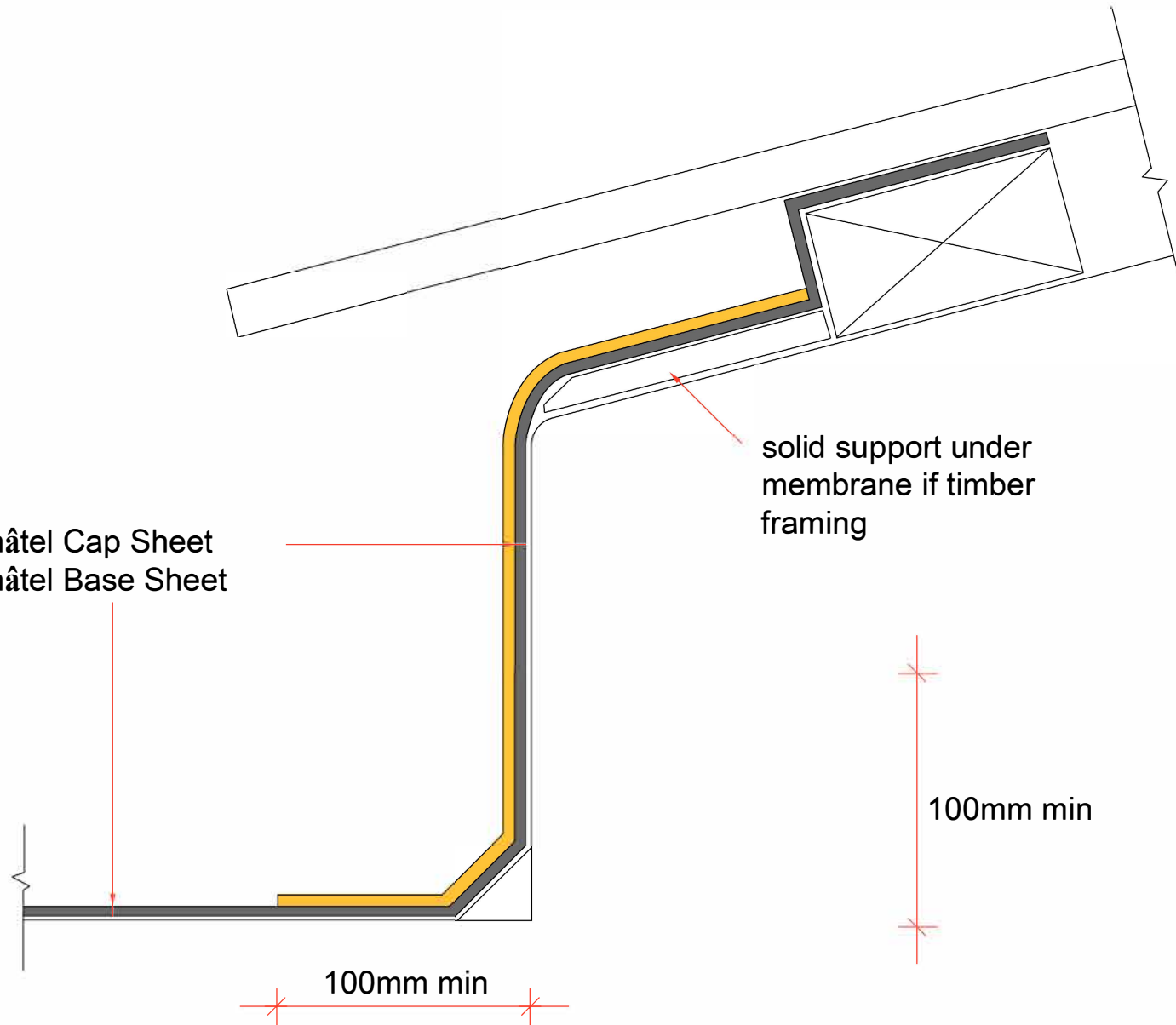
metal upstand with
membrane torched on
after fixing in place



Contact Details
Neuchâtel Group Ltd
120 Foundry Road
Silverdale
Auckland
www.neuchatel.co.nz
Tel +64 9 441 4595

All materials are to be installed by an authorised Neuchâtel applicator only. All materials to be applied in accordance with current published installation instruction and product data sheets should be consulted at all times. This drawing is for comment and approval only and it must not be used for construction until authorised by the project specifier or other relevant technical expert. This detail is drawn to current NZ building codes. This drawing is not subject to copyright. It meets current building codes and feel free to use.

Neuchâtel Cap Sheet
Neuchâtel Base Sheet



solid support under
membrane if timber
framing

100mm min

100mm min



Contact Details

Neuchâtel Group Ltd
120 Foundry Road
Silverdale
Auckland

www.neuchatel.co.nz
Tel +64 9 441 4595

All materials are to be installed by an authorised Neuchâtel applicator only. All materials to be applied in accordance with current published installation instruction and product data sheets should be consulted at all times. This drawing is for comment and approval only and it must not be used for construction until authorised by the project specifier or other relevant technical expert. This detail is drawn to current NZ building codes. This drawing is not subject to copyright. It meets current building codes and feel free to use.

Detail Title

UP AND UNDER ROOFING

Date:

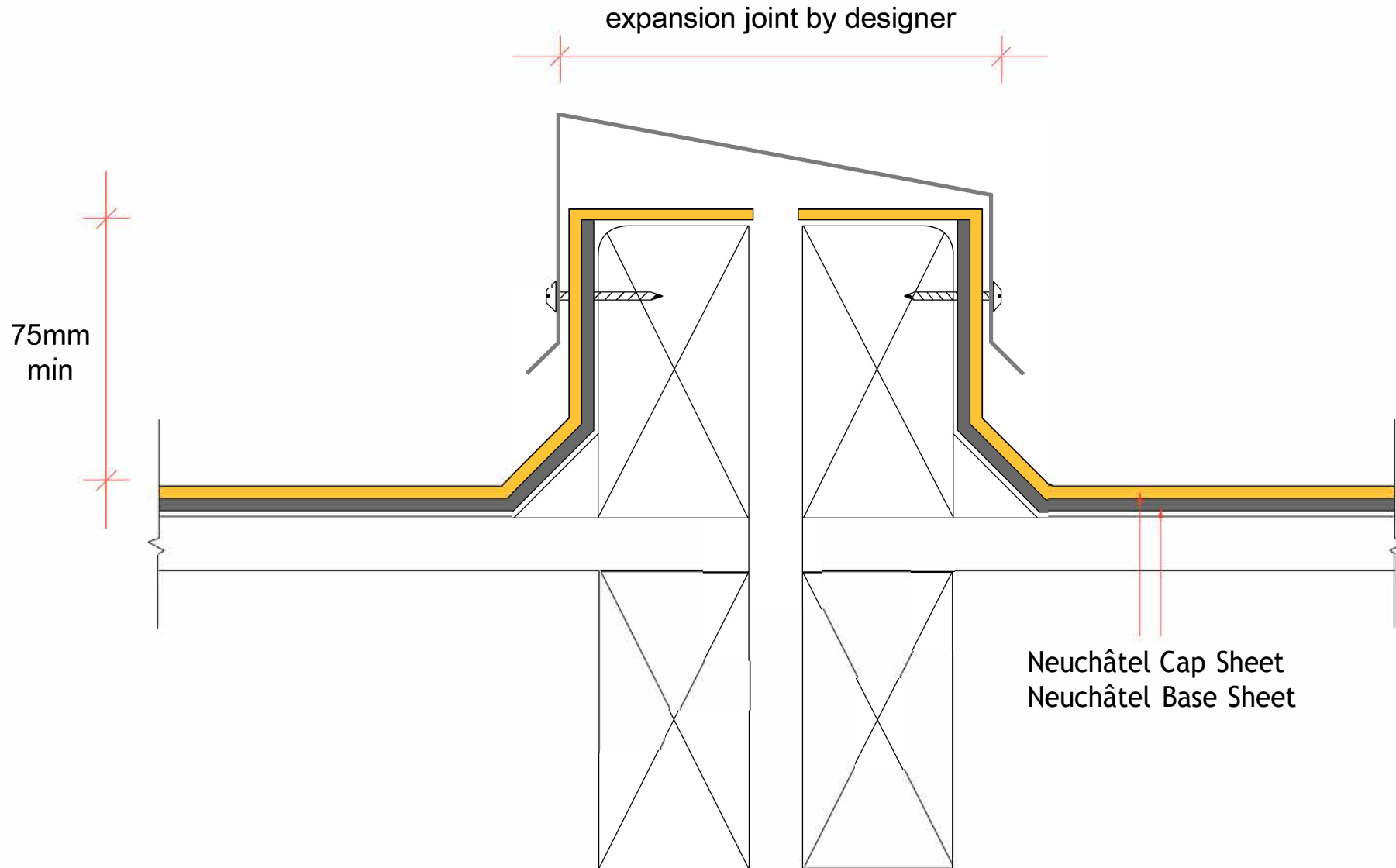
09/2016

Drawing No:

SUU-01

Revision No:

A



Contact Details

Neuchâtel Group Ltd
120 Foundry Road
Silverdale
Auckland

www.neuchatel.co.nz
Tel +64 9 441 4595

All materials are to be installed by an authorised Neuchâtel applicator only. All materials to be applied in accordance with current published installation instruction and product data sheets should be consulted at all times. This drawing is for comment and approval only and it must not be used for construction until authorised by the project specifier or other relevant technical expert. This detail is drawn to current NZ building codes. This drawing is not subject to copyright. It meets current building codes and feel free to use.

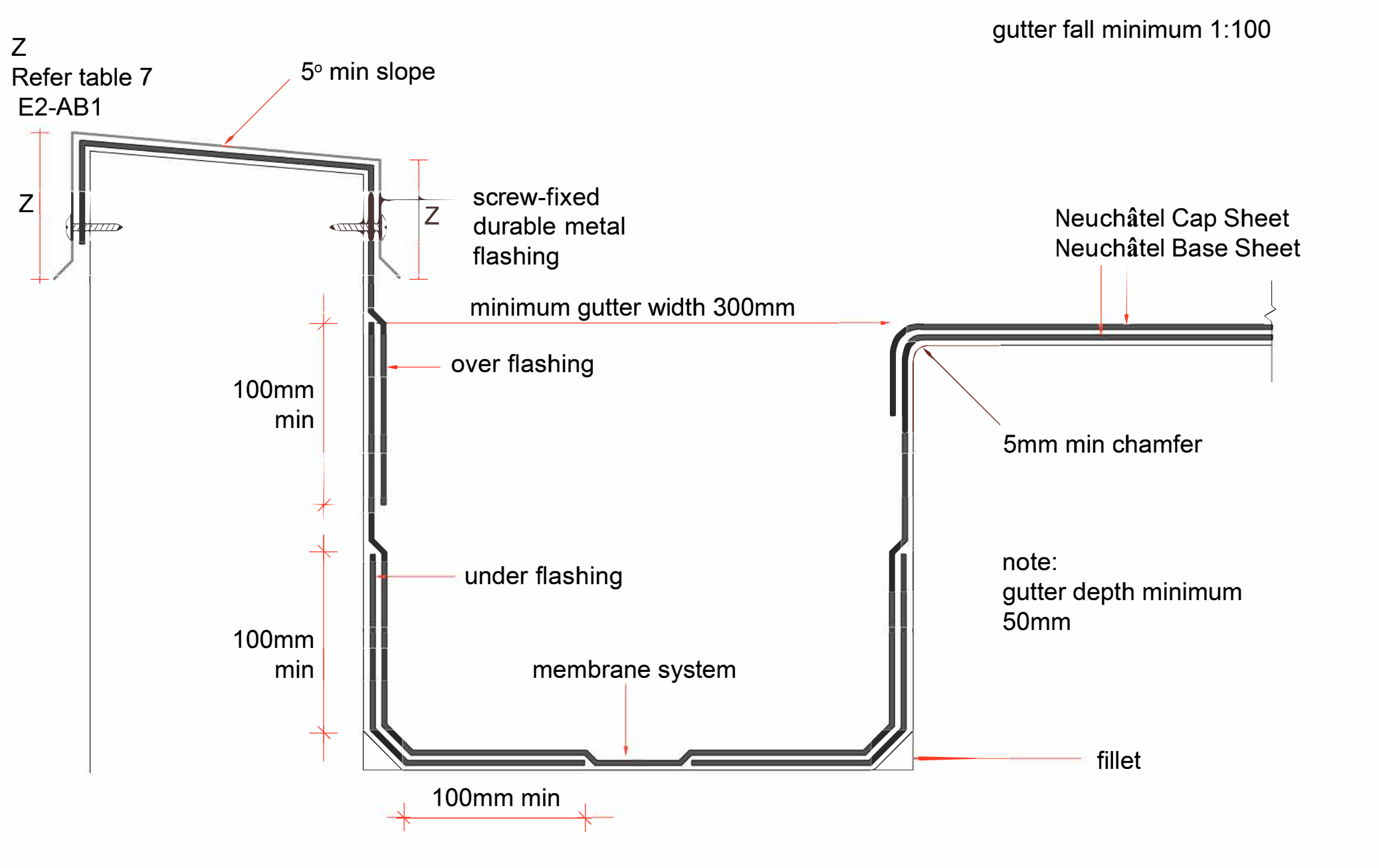
Detail Title

METAL EXPANSION JOINT CAP

Date: 09/2016

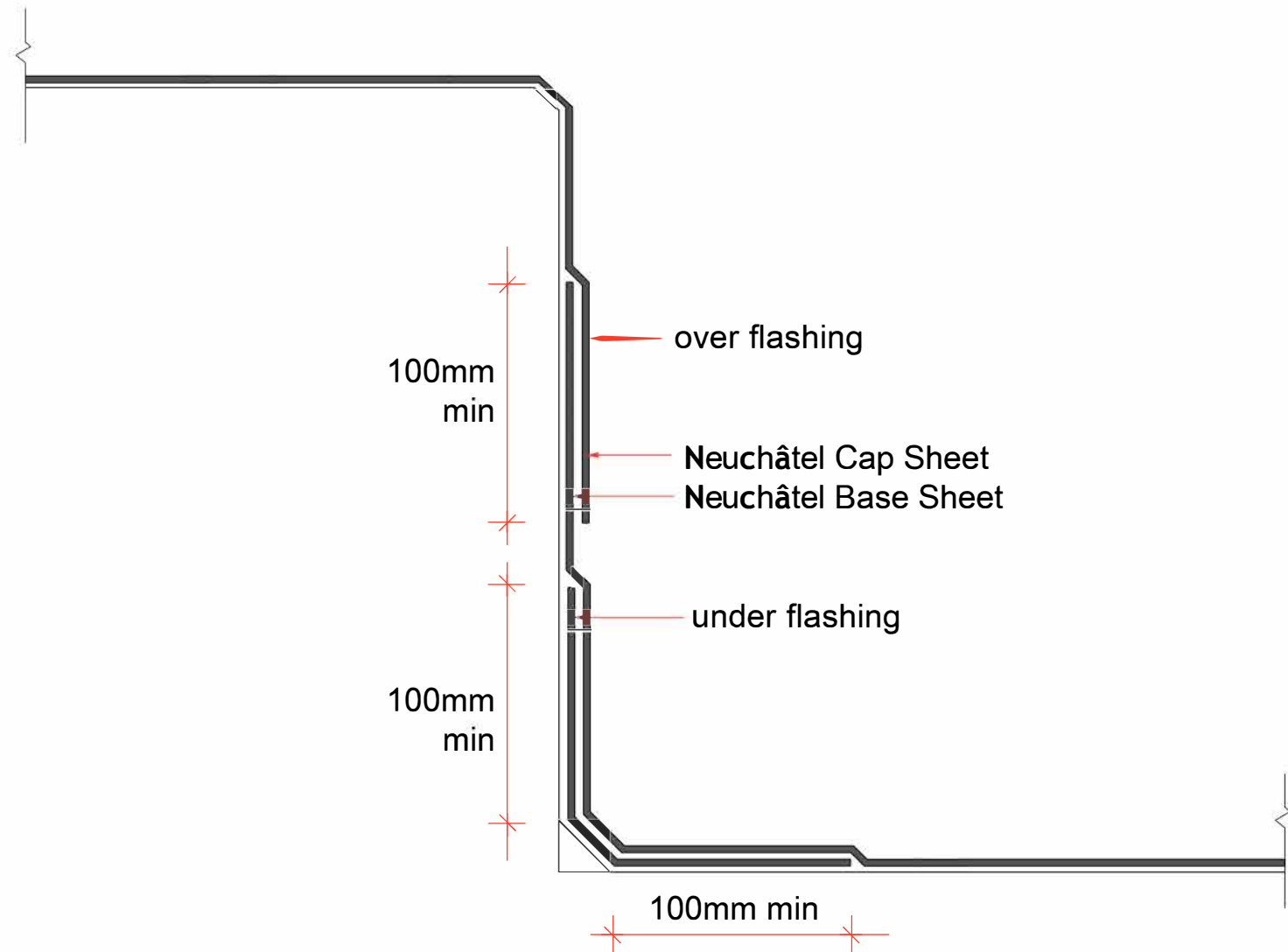
Drawing No: SMC-01

Revision No: A



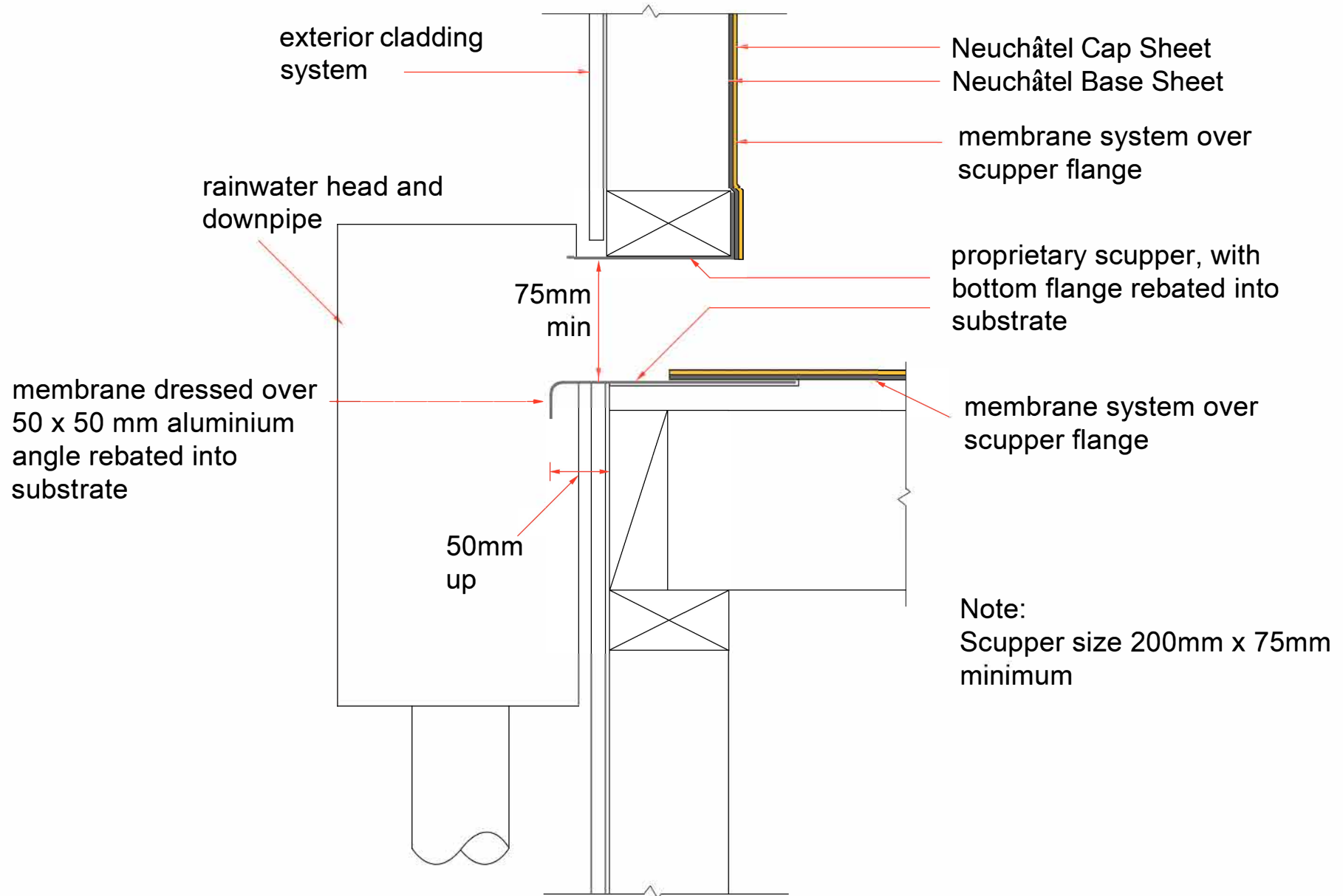
<p>Contact Details Neuchâtel Group Ltd 120 Foundry Road Silverdale Auckland</p>	<p>All materials are to be installed by an authorised Neuchâtel applicator only. All materials to be applied in accordance with current published installation instruction and product data sheets should be consulted at all times. This drawing is for comment and approval only and it must not be used for construction until authorised by the project specifier or other relevant technical expert. This detail is drawn to current NZ building codes. This drawing is not subject to copyright. It meets current building codes and feel free to use.</p>
<p>www.neuchatel.co.nz Tel +64 9 441 4595</p>	<p>Date: 09/2016 Drawing No: SIG-01 Revision No: A</p>

INTERNAL GUTTER TO PARAPET



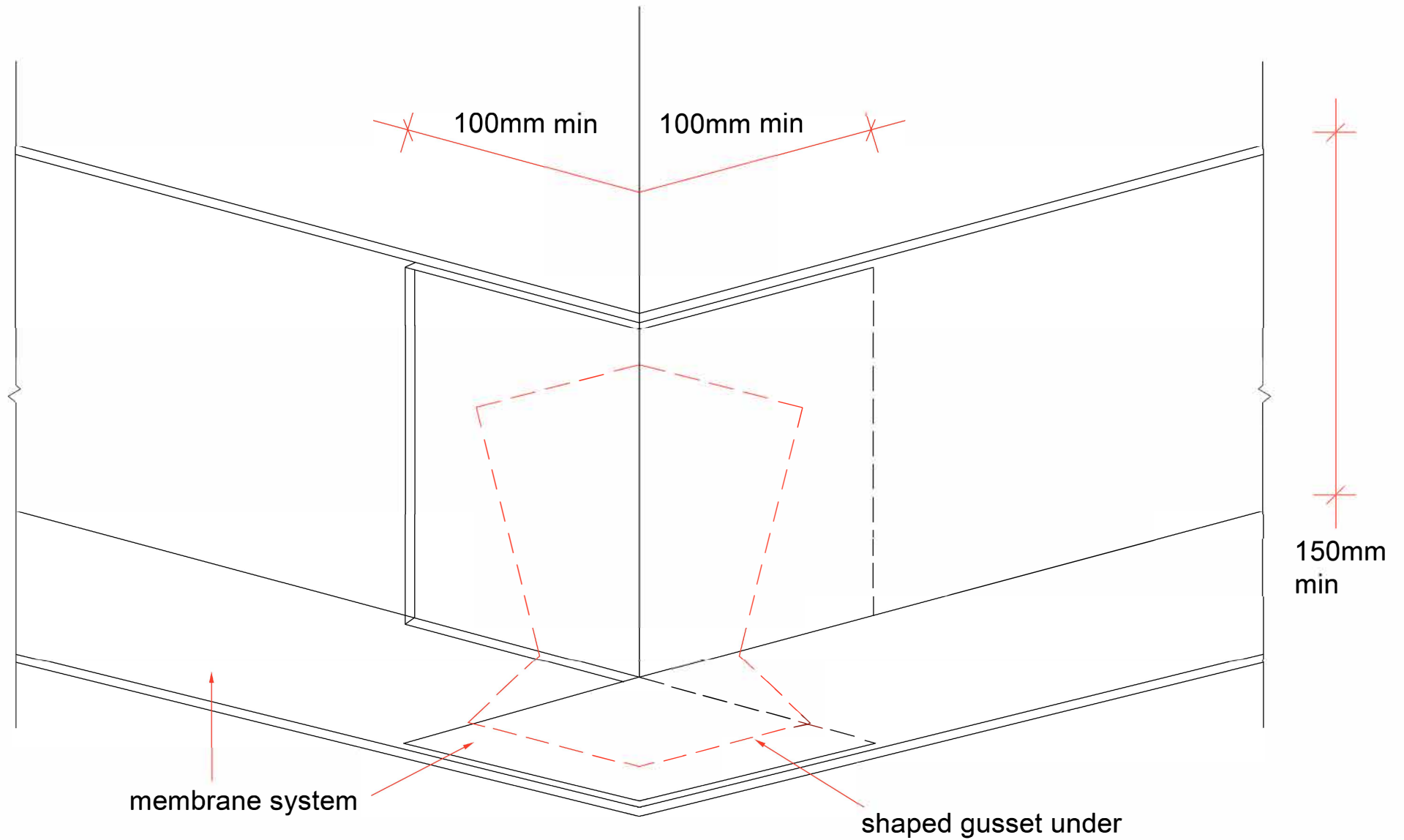
Contact Details
 Neuchâtel Group Ltd
 120 Foundry Road
 Silverdale
 Auckland
 www.neuchatel.co.nz
 Tel +64 9 441 4595

All materials are to be installed by an authorised Neuchâtel applicator only. All materials to be applied in accordance with current published installation instruction and product data sheets should be consulted at all times. This drawing is for comment and approval only and it must not be used for construction until authorised by the project specifier or other relevant technical expert. This detail is drawn to current NZ building codes. This drawing is not subject to copyright. It meets current building codes and feel free to use.



Contact Details
 Neuchâtel Group Ltd
 120 Foundry Road
 Silverdale
 Auckland
 www.neuchatel.co.nz
 Tel +64 9 441 4595

All materials are to be installed by an authorised Neuchâtel applicator only. All materials to be applied in accordance with current published installation instruction and product data sheets should be consulted at all times. This drawing is for comment and approval only and it must not be used for construction until authorised by the project specifier or other relevant technical expert. This detail is drawn to current NZ building codes. This drawing is not subject to copyright. It meets current building codes and feel free to use.



Contact Details

Neuchâtel Group Ltd
 120 Foundry Road
 Silverdale
 Auckland

www.neuchatel.co.nz
 Tel +64 9 441 4595

All materials are to be installed by an authorised Neuchâtel applicator only. All materials to be applied in accordance with current published installation instruction and product data sheets should be consulted at all times. This drawing is for comment and approval only and it must not be used for construction until authorised by the project specifier or other relevant technical expert. This detail is drawn to current NZ building codes. This drawing is not subject to copyright. It meets current building codes and feel free to use.

Detail Title

UNDERFLASHING OF EXTERNAL CORNER

Date:

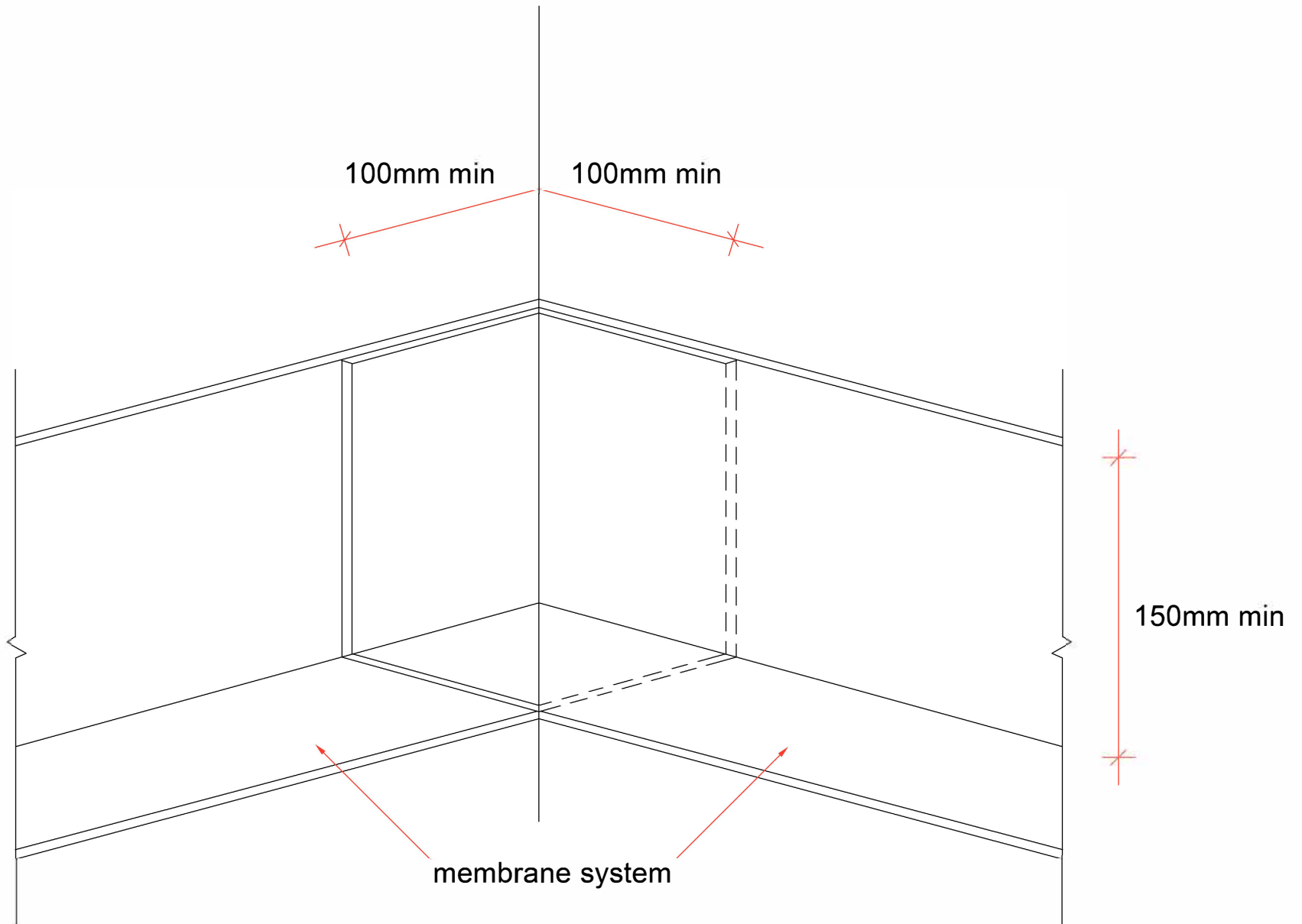
09/2016

Drawing No.

SUC-01

Revision No.

A



Contact Details

Neuchâtel Group Ltd
 120 Foundry Road
 Silverdale
 Auckland

www.neuchatel.co.nz
 Tel +64 9 441 4595

All materials are to be installed by an authorised Neuchâtel applicator only. All materials to be applied in accordance with current published installation instruction and product data sheets should be consulted at all times. This drawing is for comment and approval only and it must not be used for construction until authorised by the project specifier or other relevant technical expert. This detail is drawn to current NZ building codes. This drawing is not subject to copyright. It meets current building codes and feel free to use.

Detail Title

UNDERFLASHING OF INTERNAL CORNER

Date: 09/2016

Drawing No. SIC-01

Revision No. A

Neuchâtel Cap Sheet
Neuchâtel Base Sheet

fixing into framing timber

underflashing

durable metal flashing rebate
into substrate 50 x 50 mm

50mm

H3 fascia

cladding



Contact Details

Neuchâtel Group Ltd
120 Foundry Road
Silverdale
Auckland

www.neuchatel.co.nz
Tel +64 9 441 4595

All materials are to be installed by an authorised Neuchâtel applicator only. All materials to be applied in accordance with current published installation instruction and product data sheets should be consulted at all times. This drawing is for comment and approval only and it must not be used for construction until authorised by the project specifier or other relevant technical expert. This detail is drawn to current NZ building codes. This drawing is not subject to copyright. It meets current building codes and feel free to use.

Detail Title

METAL DRIP EDGE

Date:

09/2016

Drawing No:

SDE-01

Revision No:

A